

### Bliss Package®

Welcome to the ultimate shower experience, the Bliss Package. Anchored by the iSteamX control and introducing the SpaH2O electronic shower valve system, the Bliss Package is a curated collection of the finest steam systems and shower experiences available.



#### BOX CONTENT MS BLISS PACKAGE

For models MS90 to MSSUPER3

- iSteamX Touch Control
- Matching iSteam Steamhead
- SteamLinx
- AutoFlush®
- SPAH2O Electronic Shower Valve
- Condensation Pan
- AromaSteam Oil Delivery System
- ChromaSteamX Mood Lighting System
- AudioX
- Liter Eucalyptus Oil

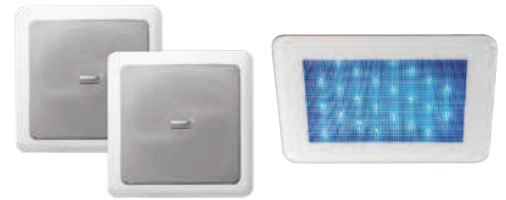


SteamLinx Mobile App

#### MAX BLISS PACKAGE

For model MX4, MX5 and MX6.

Same as MS Bliss Package except with an MX AutoFlush, MX Condensation Pan, and additional Steamhead.



**NOTE:** When ordered with the Linear Steamhead, standard steamhead(s) are replaced with 104480 Linear Steamhead(s).



**NOTE:** Towel warmers have slight dimensional variations and must

**FOR ILLUSTRATIVE PURPOSES ONLY. IMPORTANT NOTE: FOR SAFE AND TROUBLE FREE INSTALLATION** visit [mrsteam.com](http://mrsteam.com) before installation to download the Installation, Operation and Maintenance Manual or refer to the manual provided with the unit.

MODEL	COLOR	FINISH	PROJECT INFORMATION	
<input type="checkbox"/> MS/Super	<input type="checkbox"/> Black	<input type="checkbox"/> Brushed Bronze	Location:	Contractor:
<input type="checkbox"/> MX	<input type="checkbox"/> White	<input type="checkbox"/> Brushed Nickel		
<input type="checkbox"/> MS/SUPER Linear		<input type="checkbox"/> Matte Black	Architect:	Submitted By:
<input type="checkbox"/> MX Linear		<input type="checkbox"/> Oil Rubbed Bronze		
		<input type="checkbox"/> Polished Brass		
		<input type="checkbox"/> Polished Chrome	Engineer:	Date:
		<input type="checkbox"/> Polished Nickel		
	<input type="checkbox"/> Satin Brass			
Notes:				

# Dream Package

## Technical Specifications

### Control

iSteamX Control	TS0090	01-23
-----------------	--------	-------

### SteamHead

(standard) AromaSteam SteamHead	TS0010	05-22
---------------------------------	--------	-------

(option) Linear Steamhead	TS0085	12-23
---------------------------	--------	-------

### Accessories

SteamLinx	TS0077	7-23
-----------	--------	------

SPAH2O	TS0096	4-24
--------	--------	------

AudioX	TS0094	3-24
--------	--------	------

ChromaSteamX System	TS0091	01-23
---------------------	--------	-------

AromaSteam System	TS0086	8-23
-------------------	--------	------

Condensation Pan	TS0012	05-22
------------------	--------	-------

### AutoFlush

(MS & Super) MS / Super AutoFlush	TS0011	05-22
-----------------------------------	--------	-------

(MX) MX AutoFlush	TS0081	05-22
-------------------	--------	-------

iSteam®X

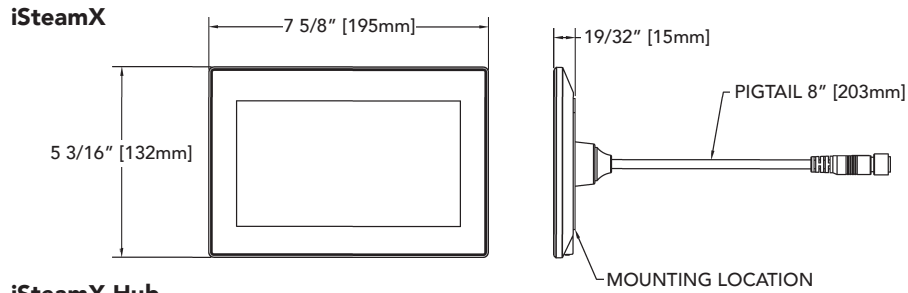
Dimensional Information

Box Contents:

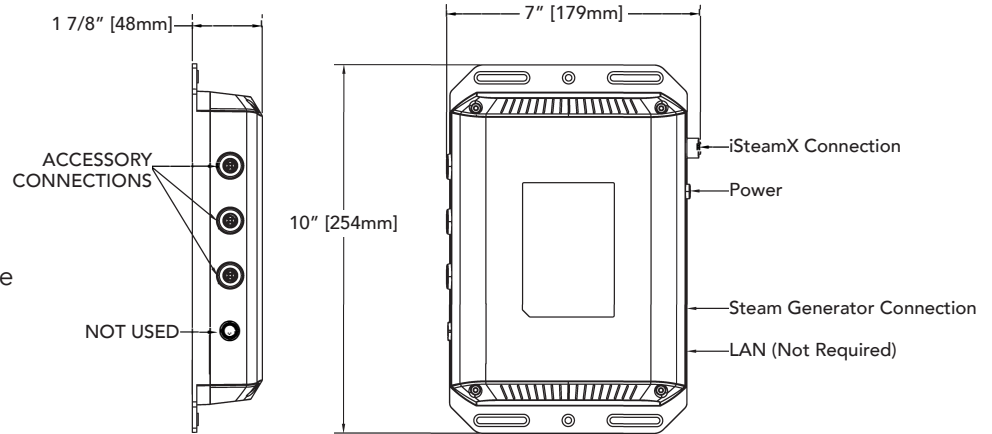
- iSteamX
- Owner's Manual
- Control Cable (30 ft. (9m))
- Steamhead
- iSteamX Hub
- iSteamX Cable
- iSteamX Hub Power Supply (w/Integral 5ft [1.5m] Cable)
- Tube of Silicone Sealant

iSteam controls surface mount in the steam/shower enclosure through a 1-1/4" [32mm] hole. They are suitable for use with SteamLinX™ mobile app control. iSteam controls are suitable for use inside or outside the steam/shower enclosure, featuring:

- Full color LCD touch screen
- Programmable temperature
- Programmable time
- Eight user profiles
- Eight user presets per profile
- AromaSteam, ChromaSteam and Audio controls
- Passcode to prevent unintentional use of steam bath
- Includes AromaSteam Steamhead in white or black
- Compatible with SteamLinX
- Low voltage operation
- Popular music and video apps pre loaded



iSteamX Hub



The iSteam controls are designed to be installed inside or outside the steam room but is primarily installed inside the steam room. If the control is installed inside the steam room the control must be located:

- 4-5 ft. (1.2 – 1.5m) above the floor
- In a location representative of the desired steam bathing temperatures near the bather seating area. Do not locate the control above or near the steamhead or direct steam emissions.
- On a vertical wall

The control cable and the hub cable length are 30 ft. (9m) each. Insure that the control and/or steam generator are located accordingly. An optional 60 ft. (18m) cable versions are available if required. If the control is installed outside the steam room a Remote Temperature Probe Part Number MST5 must be installed inside the steam room.

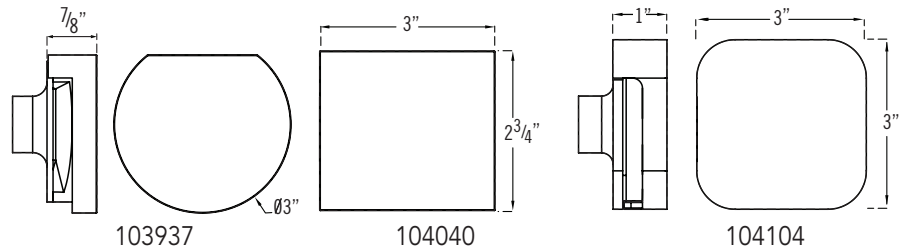
MODEL	COLOR	PROJECT INFORMATION	
iSeamX	<input type="checkbox"/> BK= Black	Location:	Contractor:
	<input type="checkbox"/> WH= White		
	<b>FINISH</b>		
	<input type="checkbox"/> BB= Brushed Bronze	Architect:	Submitted By:
	<input type="checkbox"/> BN= Brushed Nickel		
	<input type="checkbox"/> MB= Matte Black		
	<input type="checkbox"/> OB= Oil Rubbed Bronze		
	<input type="checkbox"/> PB= Polished Brass	Engineer:	Date:
	<input type="checkbox"/> PC= Polished Chrome		
	<input type="checkbox"/> PN= Polished Nickel		
<input type="checkbox"/> SB= Satin Brass			

Notes:

AromaSteam Steamhead

Round 103937, Square 104040, 104104

- Even distribution of steam while remaining cool to the touch
- No field assembly required
- No moving parts
- Integrated aromatherapy oil well for in shower use



**Round & Square Steamhead Installation** (1/2" NPT)

**IMPORTANT:** Do not disassemble steamhead. MrSteam's steam head is shipped fully assembled and requires no additional assembly.

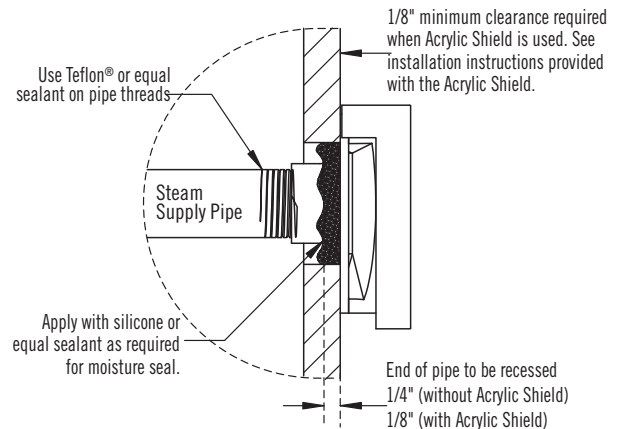
**CAUTION** Because the steamhead and direct steam emissions are very hot, locate the steamhead where incidental contact by bather with the steamhead or direct steam emission cannot occur.

**NOTE:** A 1.5" clearance hole around the steam pipe is needed to mount the steamhead.

Locate steamhead 6-12 inches above floor, except for:

- Tub/shower enclosures, install 6 inches above tub top edge.
- For enclosures with acrylic or other non-heat resistant flooring install Acrylic Shield Part Number 103938/10398SQ

**IMPORTANT NOTE:** To preserve steamhead finish, do not use wrench or other tools to tighten. DO NOT use abrasive cleansers or chemicals. Use only water with mild soap and a non-abrasive sponge.



**CAUTION** Consult with supplier of acrylic, fiberglass and other non-heat resistant enclosures for recommended steamhead location. Use Acrylic Shield PN 103938/103938SQ. See instructions provided with steam shield. (An acrylic shield is not available for the iSteam steamhead.)

**FOR ILLUSTRATIVE PURPOSES ONLY. IMPORTANT NOTE: FOR SAFE AND TROUBLE FREE INSTALLATION** visit [mrsteam.com](http://mrsteam.com) before installation to download the Installation, Operation and Maintenance Manual or refer to the manual provided with the unit.

MODEL	FINISH**	PROJECT INFORMATION
<input type="checkbox"/> 103937-Round	<input type="checkbox"/> BB Brushed Bronze	Location:
<input type="checkbox"/> 104040-Square	<input type="checkbox"/> BN Brushed Nickel	Architect:
<input type="checkbox"/> 104104*	<input type="checkbox"/> ORB Oil Rubbed Bronze	Engineer:
	<input type="checkbox"/> PB Polished Brass	Contractor:
	<input type="checkbox"/> SB Satin Brass	Submitted By:
	<input type="checkbox"/> PC Polished Chrome	Date:
	<input type="checkbox"/> PN Polished Nickel	Notes:
	<input type="checkbox"/> BLK Black***	
	<input type="checkbox"/> WH White***	
	<input type="checkbox"/> MB Matte Black	
	<input type="checkbox"/> RAW Custom Plating	

\* 104104 Steamhead is used for AirTempo, iSteam and black/white facia iTempo and iTempoPlus.

\*\* For AirTempo select black or white with a decorative finish

\*\*\*iSteam, black/white fascia iTempo and iTempoPlus are provided with matching glass face and chrome trim only.

Linear Steam Head®

TS0085

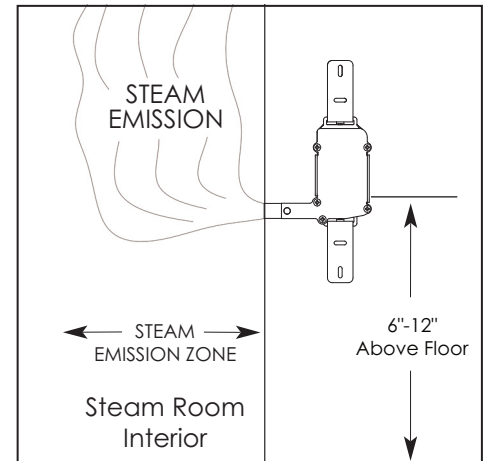
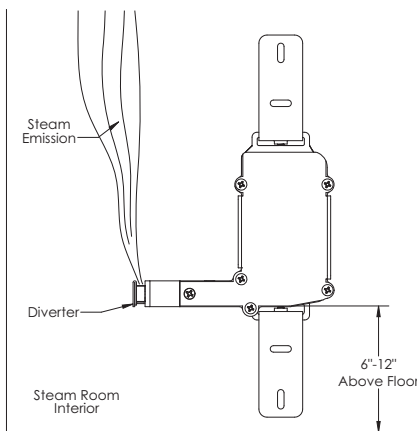
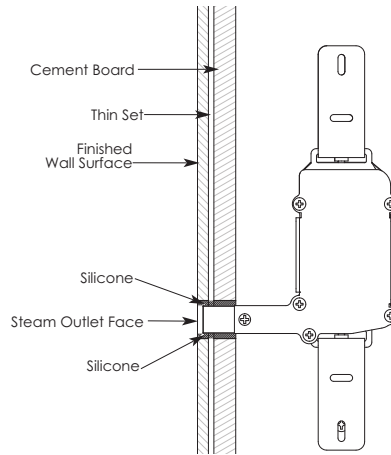
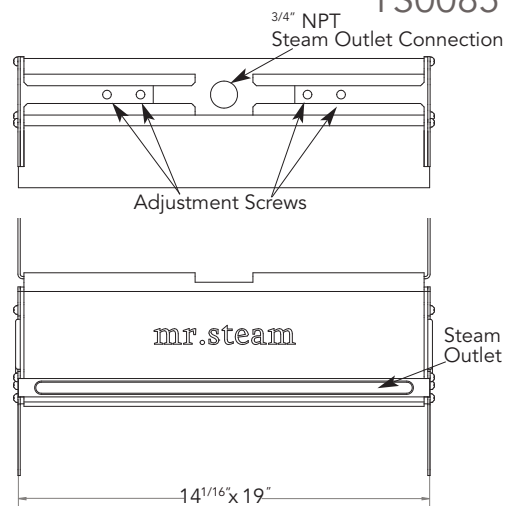
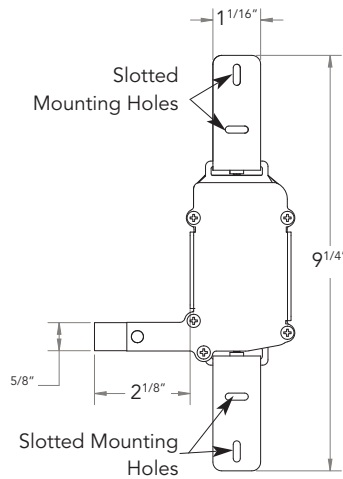
- Quiet, even distribution of steam
- No field assembly required
- Finished Look
- No moving parts
- Minimal profile
- Aroma Feature

**Linear Steamhead Installation:**  
(3/4" NPT)

**IMPORTANT:** Do not disassemble steamhead. MrSteam's steamhead is shipped fully assembled and requires no additional assembly. Locate steamhead 6-12 inches above floor, except for tub/shower enclosures; install 6 inches above tub top edge.

**CAUTIONS** Because the steamhead and direct steam emissions are very hot, locate the steamhead where incidental contact by bather with the steamhead or direct steam emission cannot occur.

- Linear Steam Head model 104480 is suitable for MrSteam generator models MS90-400, MSSUPER1-3 and MX4-MX6.
- Two 104480 linear steamheads must be used for models MX4, 5 & 6.
- Using model 104480 for any steam generator model larger than the MX6, or for any non MrSteam brand generators may result in an improper installation or hazardous condition.
- For residential use only.
- Install in a upright orientation only. Installation in a any other orientation may concentrate the steam and result in excessive temperatures.



Generator Model	Number of Linear Steam Heads	Steam Emission Zone
MS90-MS400	1	18"
Super1-Super3	1	24"
MX4-MX6	2	24"

**FOR ILLUSTRATIVE PURPOSES ONLY. IMPORTANT NOTE: FOR SAFE AND TROUBLE FREE INSTALLATION**  
visit [mrsteam.com](http://mrsteam.com) before installation to download the Installation, Operation and Maintenance Manual or refer to the manual provided with the unit.

MODEL	PROJECT INFORMATION	
104480 <input type="checkbox"/> BB <input type="checkbox"/> BN <input type="checkbox"/> MB <input type="checkbox"/> ORB <input type="checkbox"/> PB <input type="checkbox"/> PC <input type="checkbox"/> PN <input type="checkbox"/> SB	Location:	Contractor:
One 104495 may be used with MX4, MX5 & MX6. See technical specification TS0088 for more information	Architect:	Submitted By:
Notes:	Engineer:	Date:

Linear Steam Head®

TS0085

Accessories

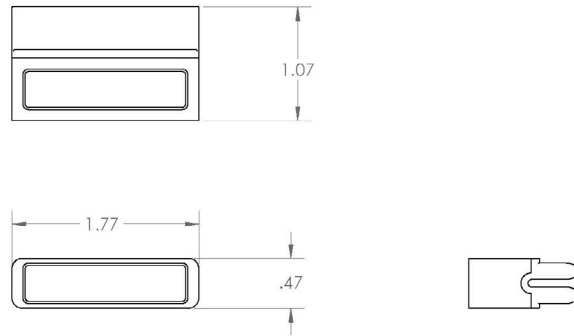
**CAUTIONS** because the Steam Head, Faceplate, Diverter, AromeTray, Escutcheon, Finished Diverter, and direct steam emission are very hot, locate the Steam Head, Faceplate, Diverter, AromeTray, Escutcheon, Finished Diverter where incidental contact by bather or direct steam emission cannot occur.

**Included Accessories**

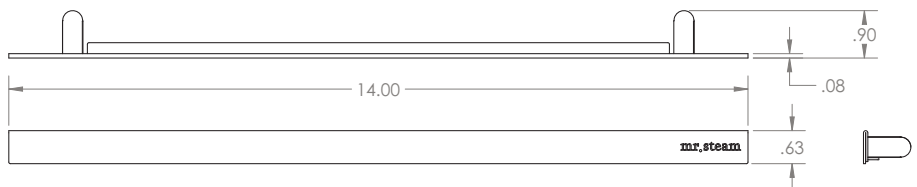
Faceplate



AromaTray  
(Black Chrome Finish Only)

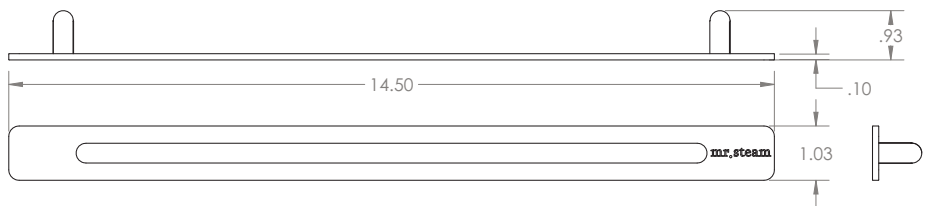


Diverter  
(Stainless Steel Finish Only)

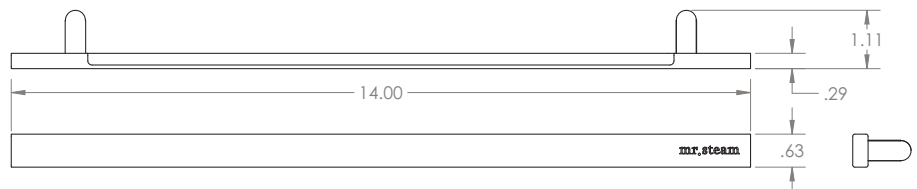


**Optional Accessories**

Escutcheon



Diverter - Finished



- BB
- BN
- MB
- ORB
- PB
- PC
- PN
- SB

**NOTE:** Drawings are for illustrative purposes only. Consult with qualified designer, architect or contractor for steam room construction.

TS0085 Rev 12.23

### SteamLinx™

#### BOX CONTENT

- SteamLinx Generator Module
- SteamLinx Router Module
- 6 foot Ethernet Cord
- Power Adapter

#### SteamLinx

Introducing the latest Mobile Steam Room Technology, the SteamLinx Mobile System. SteamLinx allows for seamless control of essential steam room functionality using your smart phone or mobile device.

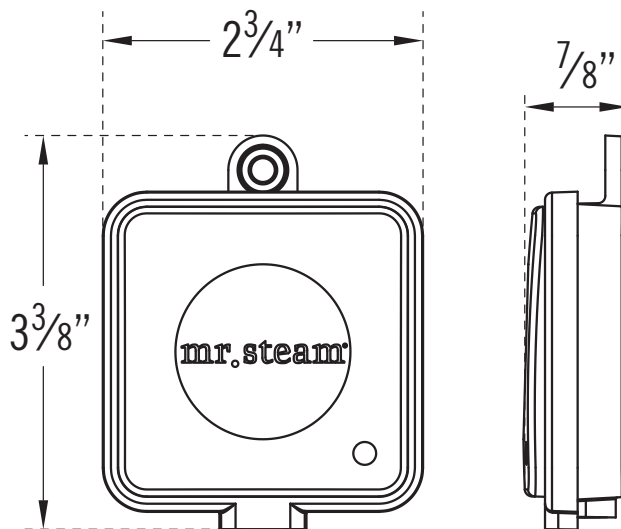
*Included in all Dream & Butler Packages  
(Except Basic Butler).*

Works with all MrSteam Controls

App available for download from Google Play and the App Store

#### **FOR ILLUSTRATIVE PURPOSES ONLY.**

**IMPORTANT NOTE: FOR SAFE AND TROUBLE FREE INSTALLATION** visit [mrsteam.com](http://mrsteam.com) before installation to download the Installation, Operation and Maintenance Manual or refer to the manual provided with the unit.



MODEL	PROJECT INFORMATION	
SteamLinx	Location:	Contractor:
	Architect:	Submitted By:
	Engineer:	Date:
Notes:		

### Electronic Shower Valve SPAH2O

SPAH2O is a 3 outlet electronic shower valve controlled by iSteamX that provides accurate, stable, thermostatic regulation of water temperature and flow rate

#### FEATURES:

- Temperature and flow static control (thermoflowstatic)
- 3 Outlets (Only 1 outlet can be opened at a time)
- Maximum water temperature limitation
- Time of use configuration
- Maximum flow rate limitation
- Maintenance functions
  - Thermal disinfection
  - Hygiene flushing programs
  - Impurity cleaning process
- Maintenance alarms and error diagnosis
  - Cold and hot water leakage
  - Cold and hot water failure
  - Insufficient hot water temperature
  - Cold water temperature high

#### TECHNICAL SPECIFICATIONS

##### General

Technology	Patent pending
Maximum Load	≤36 W. (Stand-by ≤1W)
Rated Impulse Voltage	12 V DC
Ingress Protection Rating	IP54
Water Connections	1/2" NPT
Weight	4.5 lbs.

##### Pressure

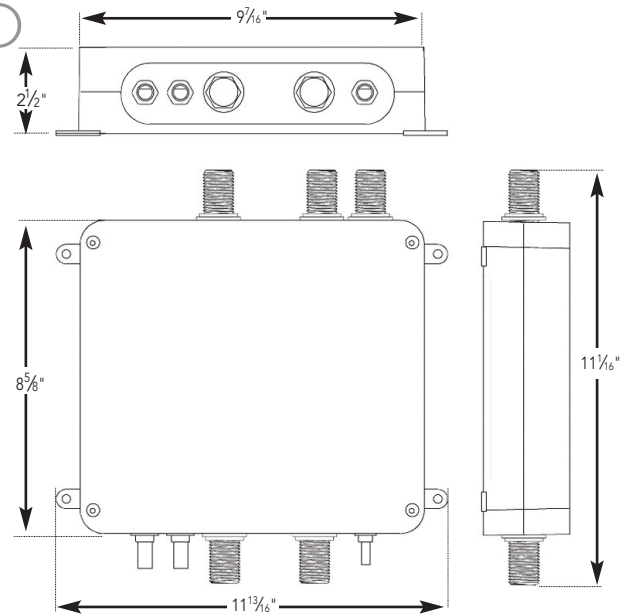
Maximum Dynamic	73 psi
Minimum Dynamic	20 psi
Recommended Dynamic	43 psi
Maximum Differential Supply	5 psi
(Durability) Burst	508 psi
(Durability) Leakage	290 psi

##### Temperature

	Minimum	Maximum
Input hot water range	110° F	149° F
Input cold water range	32° F	80° F
Mixed maximum	118° F	
Mixed minimum	Full cold	
Optimum control range	90° F - 111° F	

##### Flow Rate (3 Bar free flow)

	Minimum	Maximum
Mixed Water 1 outlet open	1.1 gpm	5.5 gpm
Mixed Water 2 outlets open	1.1 gpm	7.4 gpm (total)



#### STANDARDS

**ASSE #1016:** Performance requirements for automatic compensating valves for individual showers and tub/shower combinations Including: **4.6.4:** Pressure and temperature variation test T type

**Pr EN-1111 (2015):** Sanitary Tapware - Thermostatic Mixing Valves. Including:

- **13.2:** Determination of flow rate
- **13.5.1:** Temperature control operation
- **13.5.2:** Flow rate reduction
- **13.5.3:** Cold supply failure and restoration
- **13.5.4:** Supply pressure variation
- **13.5.6:** Temperature Override Stops

**ASSE #1016:** Performance requirements for automatic compensating valves for individual showers and tub/shower combinations Including: **4.6.5:** Pressure and temperature variation test T type

**CE • EMC:** EN 55014-1, EN 55014-2

- **Safety:** EN 60335-1

- **RoHS:** EN 63000:2018

**USA • FCC:** CFR title 47, Part 15, SubPart B

**CANADA • EMC:** CAN ICES-3 (Issue 6)

**IMPORTANT NOTE:** SPAH2O is intended to be used with fixtures marked for use with automatic compensating valves rated at 2.2 GPM or higher flow rates.

**FOR ILLUSTRATIVE PURPOSES ONLY. IMPORTANT NOTE: FOR SAFE & TROUBLE FREE INSTALLATION** visit [mrsteam.com](http://mrsteam.com) before installation to download the Installation, Operation and Maintenance Manual or refer to the manual provided with the unit.

MODEL	PROJECT INFORMATION	
☐ SPAH2O	Location:	Contractor:
	Architect:	Submitted By:
	Engineer:	Date:
Notes:		



## INSTALLATION INSTRUCTIONS

## Model AudioXBK & AudioXWH

### Package Contents:

- 1x AudioX [pair of speakers]
- 1x Installation Instructions
- 2x Templates
- 1x power cable
- 1x audio cable

**CAUTION** All audio wiring shall be installed in accordance with National Electric Code and local electrical codes.

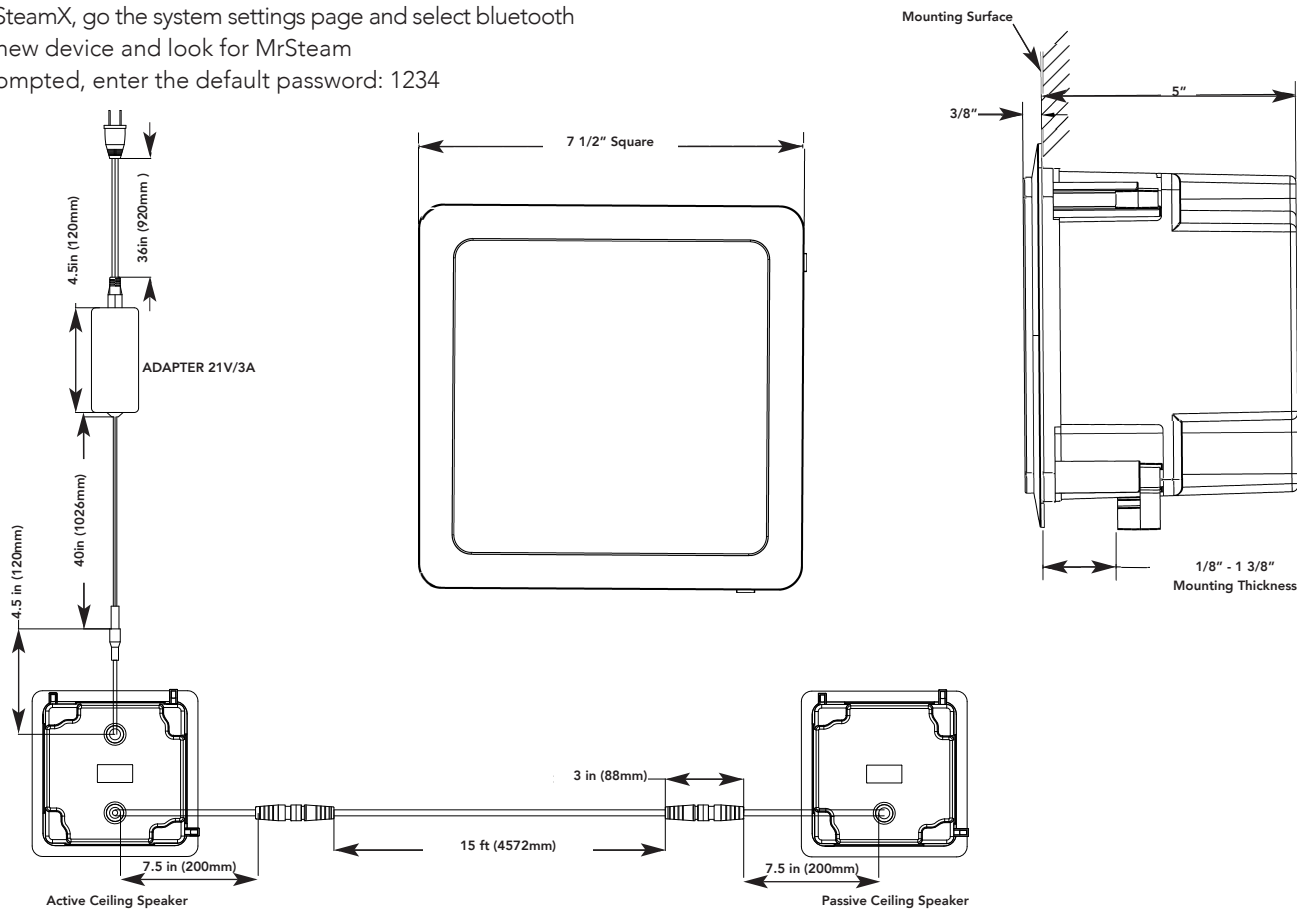
### Connecting to AudioX

1. On your iSteamX, go the system settings page and select bluetooth
2. Tap pair new device and look for MrSteam
3. When prompted, enter the default password: 1234

### Installation Requirements:

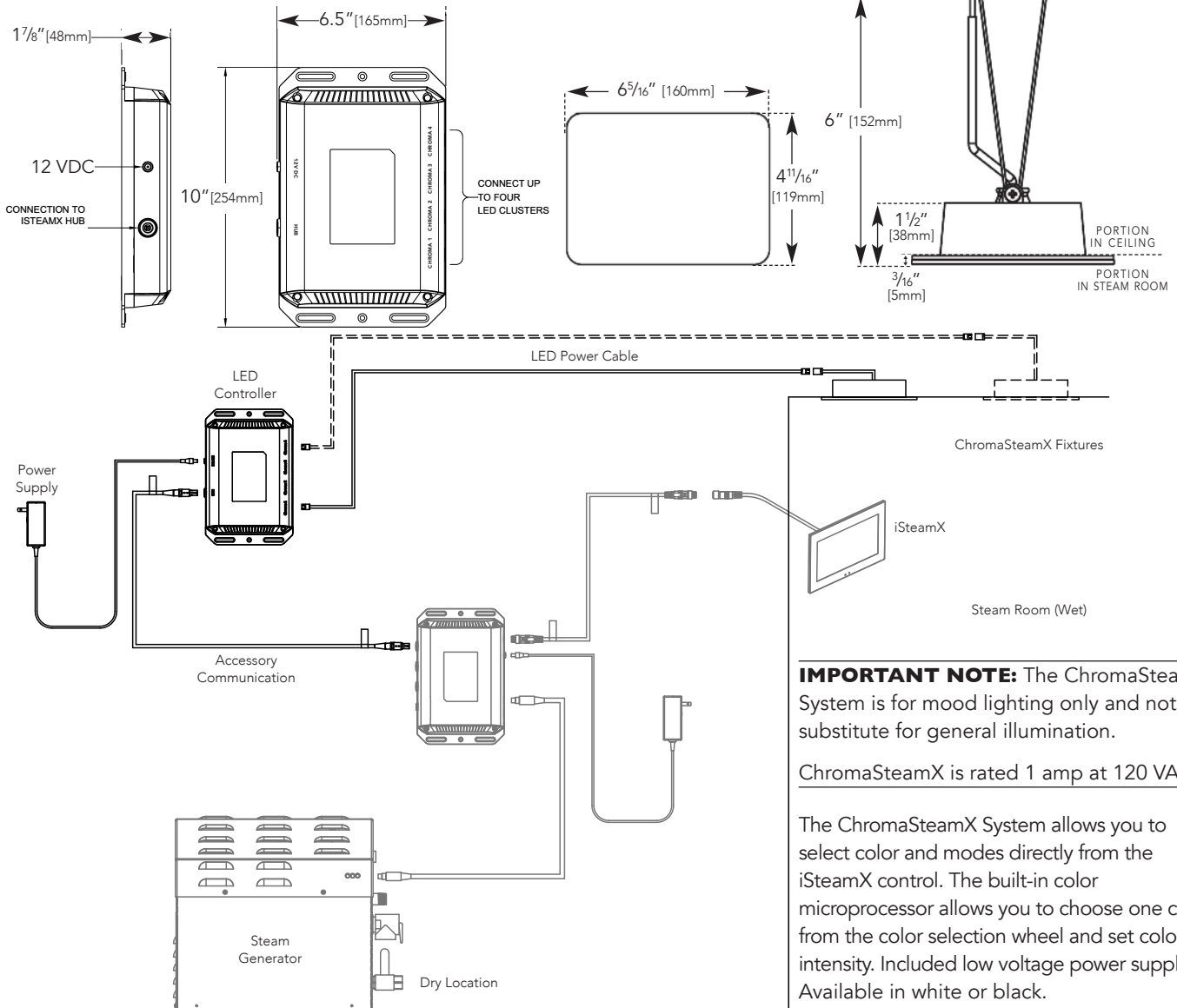
- AudioX is suitable for installation in a wall or ceiling
- 6 9/16" x 6 9/16" hole needed for each speaker, templates are provided with the speakers
- The maximum distance between each speaker is 15 feet
- The power cable is 6.7 feet long
- 120 volt outlet is required to power the AudioX

**IMPORTANT:** Do not place AudioX in a location where it can come in contact with direct water or steam emission



MODEL	FINISH	PROJECT INFORMATION	
AUDIOX	<input type="checkbox"/> BK-Black	Location:	Contractor:
	<input type="checkbox"/> WH-White	Architect:	Submitted By:
		Engineer:	Date:
Notes:			

## ChromaSteamX® ChromaSteamX is only for use with iSteamX



**IMPORTANT NOTE:** The ChromaSteam System is for mood lighting only and not a substitute for general illumination.

ChromaSteamX is rated 1 amp at 120 VAC

The ChromaSteamX System allows you to select color and modes directly from the iSteamX control. The built-in color microprocessor allows you to choose one color from the color selection wheel and set color intensity. Included low voltage power supply. Available in white or black.

*For mood lighting only.*

**FOR ILLUSTRATIVE PURPOSES ONLY.**

**IMPORTANT NOTE:**  
**FOR SAFE AND TROUBLE FREE INSTALLATION** visit [mrsteam.com](http://mrsteam.com) before installation to download the Installation, Operation and Maintenance Manual or refer to the manual provided with the unit.

### BOX CONTENTS

MSCHROMAX includes:

- (1) Light Fixture
- (1) LED Controller
- (1) Tube of Silicone
- (1) 30ft. LED Power Cable
- (1) Rough-in Box
- (1) Installation and Operation Manual
- (1) Accessory Communication Cable

MSCHROMAXDUO includes:

- (2) Light Fixtures
- (1) LED Controller
- (2) Tubes of Silicone
- (2) 30 ft. cables
- (2) Rough-in Boxes
- (1) Installation and Operation Manual
- (1) Accessory Communication Cable

MODEL	BEZEL COLOR	PROJECT INFORMATION	
<input type="checkbox"/> MSCHROMAX	<input type="checkbox"/> BK Black	Location:	Contractor:
<input type="checkbox"/> MSCHROMAXDUO	<input type="checkbox"/> WH White	Architect:	Submitted By:
<input type="checkbox"/> MSCHROMA		Engineer:	Date:
<input type="checkbox"/> MSCHROMADUO			
Notes:			

### AromaSteam

**CONTENTS:**

- 6 Feet of Pressure Hose
- 1 Feet of Suction Hose
- One Directional Check Valve
- Installation and Operation Manual

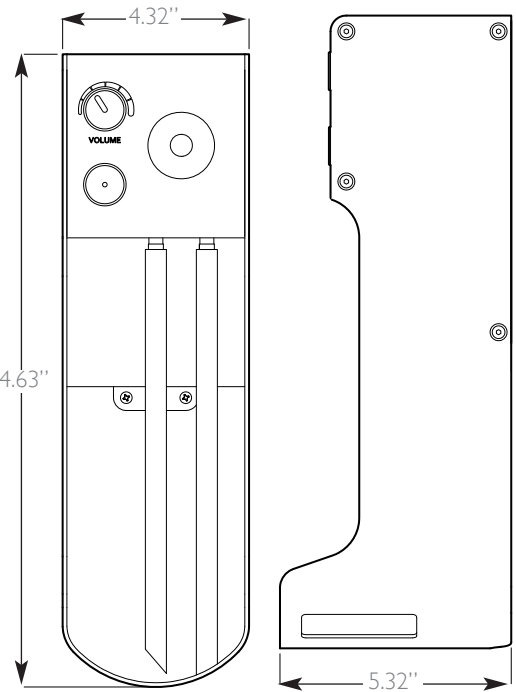
**FEATURES:**

- Electronic oil delivery system evenly infuses scent into steam
- Complete with hoses, fittings and check valve
- Can be controlled directly from an AirTempo® iSteam® or iTempoPlus®
- AromaSteam System oils available in one-liter bottles
- The AromaSteam is rated 0.5 Amps at 120 VAC
- cULus Listed

**NOTE:** AromaSteam is for use with AirTempo®, iSteam® or iTempoPlus® only

Mr.Steam offers special formulated & packaged oils for use with the AromaSteam in the following fragrances:

- MS OIL 1: Eucalyptus
- MS OIL 2: Lavender
- MS OIL 3: Evergreen
- MS OIL 4: Energizing Mint
- MS OIL 5: Breathe



Dimensions:	4.32"W x 14.63"H x 5.32"D
Weight:	5 pounds
Motor voltage	120 VAC, 50/60 Hz
Current Draw	0.5 Amps

**! WARNING** Not for use in acrylic or fiberglass rooms.

**FOR ILLUSTRATIVE PURPOSES ONLY. IMPORTANT NOTE: FOR SAFE AND TROUBLE FREE INSTALLATION**

visit [mrsteam.com](http://mrsteam.com) before installation to download the Installation, Operation and Maintenance Manual or refer to the manual provided with the unit.

MODEL	PROJECT INFORMATION	
MS AROMA	Location:	Contractor:
	Architect:	Submitted By:
	Engineer:	Date:
Notes:		

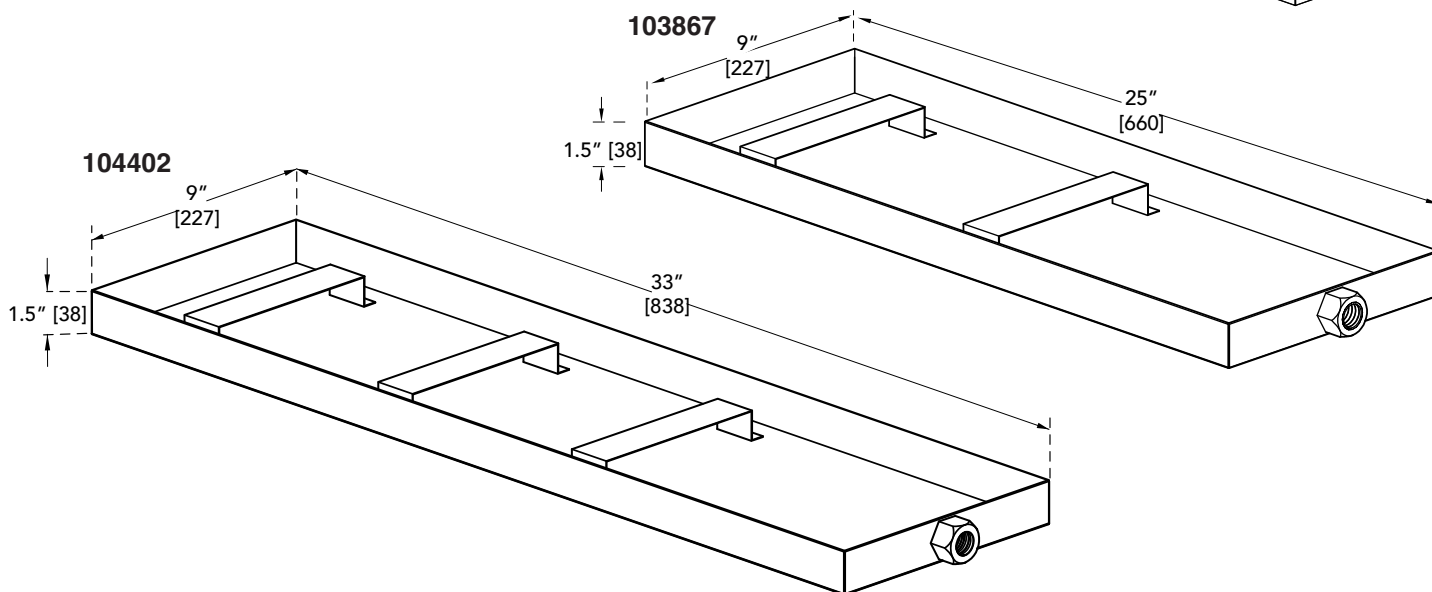
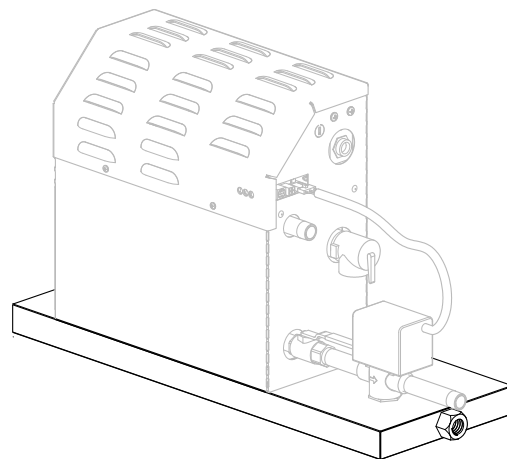
Condensation Pan

103867 & 104402

Mr.Steam strongly recommends the use of a condensation pan in the unlikely event of a plumbing leak.

Locate the condensation pan on a solid level surface and place the steam generator inside the condensation pan. Insure the steam generator is level.

All plumbing shall be performed by a qualified licensed plumber and in accordance with applicable national and local codes. Check local plumbing code for receptor, trap and vent requirements. Condensation pans drain by gravity. The condensation pan is equipped with an integral 3/4" NPT fitting.



**NOTE:** For MX4E, MX5E and MX6E use model 104402

**FOR ILLUSTRATIVE PURPOSES ONLY. IMPORTANT NOTE: FOR SAFE AND TROUBLE FREE INSTALLATION** visit [mrsteam.com](http://mrsteam.com) before installation to download the Installation, Operation and Maintenance Manual or refer to the manual provided with the unit.

MODEL	PROJECT INFORMATION	
<input type="checkbox"/> 103867	Location:	Contractor:
<input type="checkbox"/> 104402	Architect:	Submitted By:
	Engineer:	Date:
Notes:		

AutoFlush®

**Box Contents**

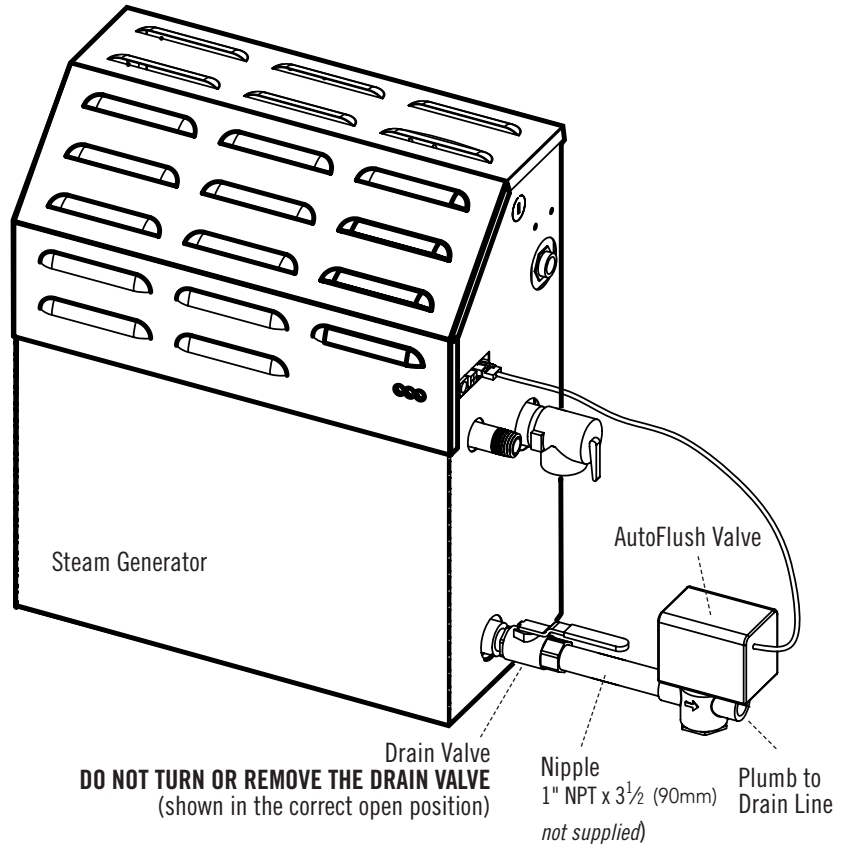
- AutoFlush Valve with Cord
- Installation instructions

**Operation**

The optional AutoFlush System feature automatically drains the MrSteam system following each use. A time delay allows the water to cool down (about two hours) before it drains by gravity for a safe and gentle operation.

**Note:** If the Express Steam® option has been installed, the AutoFlush will drain for ten minutes then refill with fresh water to begin the pre-heat cycle.

**AutoFlush Shown Fully Assembled**



Our exclusive AutoFlush automatically and electronically drains the system, providing CleanSteam... Every Time® and introduces fresh water.

**FOR ILLUSTRATIVE PURPOSES ONLY. IMPORTANT NOTE: FOR SAFE AND TROUBLE FREE INSTALLATION** visit [mrsteam.com](http://mrsteam.com) before installation to download the Installation, Operation and Maintenance Manual or refer to the manual provided with the unit.

MODEL	PROJECT INFORMATION	
MS 81500E	Location:	Contractor:
	Architect:	Submitted By:
	Engineer:	Date:
Notes:		

### AutoFlush®

#### Box Contents

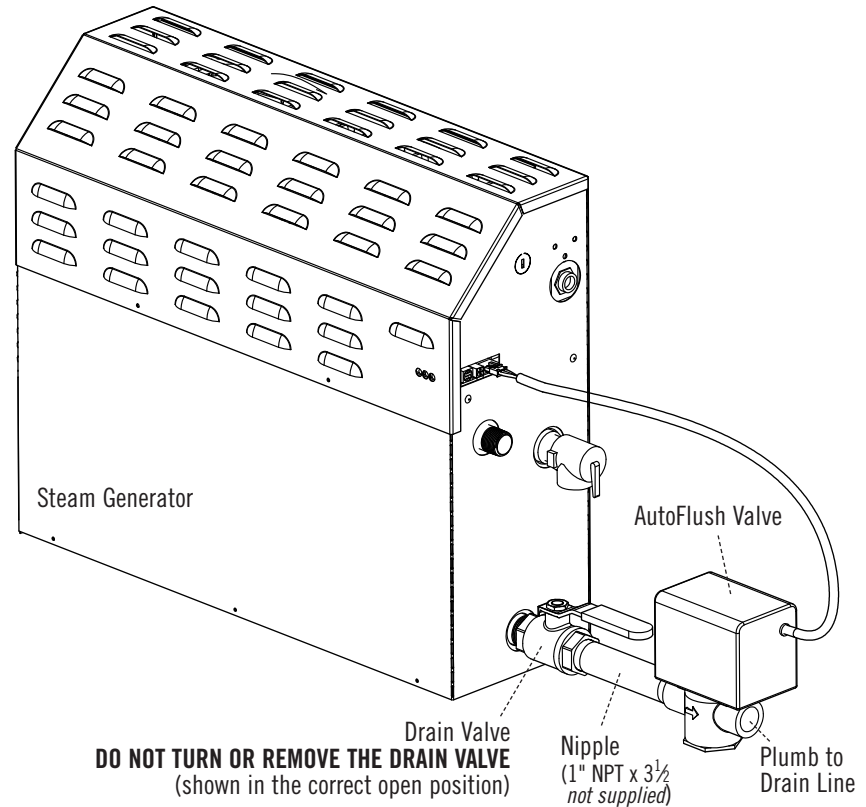
- AutoFlush Valve (1" NPT) with Cord
- Installation instructions

#### Operation

The optional AutoFlush System feature automatically drains the MrSteam system following each use. A time delay allows the water to cool down (about two hours) before it drains by gravity for a safe and gentle operation.

**Note:** If the Express Steam® option has been installed, the AutoFlush will drain for ten minutes then refill with fresh water to begin the pre-heat cycle.

#### AutoFlush Shown Fully Assembled



Our exclusive AutoFlush automatically and electronically drains the system, providing CleanSteam... Every Time® and introduces fresh water.

**FOR ILLUSTRATIVE PURPOSES ONLY. IMPORTANT NOTE: FOR SAFE AND TROUBLE FREE INSTALLATION** visit [mrsteam.com](http://mrsteam.com) before installation to download the Installation, Operation and Maintenance Manual or refer to the manual provided with the unit.

MODEL	PROJECT INFORMATION	
CT 81500	Location:	Contractor:
	Architect:	Submitted By:
	Engineer:	Date:
Notes:		