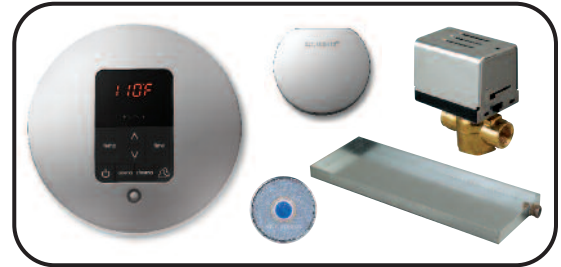


CT Day Spa Packages

CT DAY SPA SYSTEM For Models CT6 to CT15

BOX CONTENT

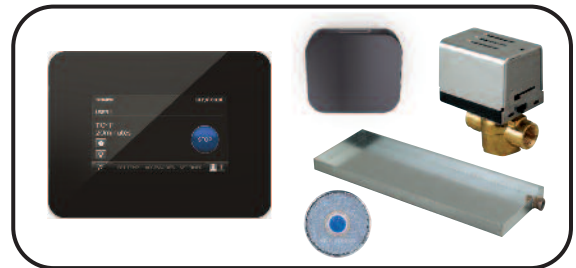
- iTempoPlus® Control
- Matching AromaSteam Steamhead with Acrylic Shield (*not shown*)
- AutoFlush® System
- Express Steam® factory installed (*not shown*)
- Drip Pan
- CT-SteamStop™
- MSTS In-Room Temperature Sensor (*not shown*)



CT-PACKAGE ISTEAM For Models CT6 to CT15

BOX CONTENT

- Steam Control
- Matching iSteam Steamhead
- AutoFlush® System
- Express Steam® factory installed (*not shown*)
- Drip Pan
- CT-SteamStop™
- MSTS In-Room Temperature Sensor (*not shown*)



FOR ILLUSTRATIVE PURPOSES ONLY. IMPORTANT NOTE: FOR SAFE AND TROUBLE FREE INSTALLATION visit mrsteam.com or scan the QR code before installation to download the Installation, Operation and Maintenance Manual or refer to the manual provided with the unit.



| MODEL | SHAPE | FINISH | PROJECT INFORMATION |
|--|---|--|---------------------|
| <input type="checkbox"/> CT DAY SPA SYSTEM | <input type="checkbox"/> RD Round <input type="checkbox"/> SQ Square | <input type="checkbox"/> PC - Polished Chrome | Location: |
| | | <input type="checkbox"/> BN - Brushed Nickel | Architect: |
| | | <input type="checkbox"/> PN - Polished Nickel | Engineer: |
| | | <input type="checkbox"/> ORB - Oil Rubbed Bronze | Contractor: |
| | | <input type="checkbox"/> BB - Brushed Bronze | Submitted By: |
| | | <input type="checkbox"/> PB - Polished Brass | Date: |
| | | <input type="checkbox"/> RAW - Custom Plating | Notes: |
| | | <input type="checkbox"/> CT-PACKAGE iSteam | N/A |

iTempoPlus™ CONTROLS

iTempoPlus™ controls flush mount in the steam/shower enclosure through a 2 5/8" wide x 3 7/8" high hole. iTempo controls can also be surface mounted.

iTempoPlus™ Controls Feature:

- Solid brass decorative cover with choice of square or round styles in designer finishes
- Digital display
- Programmable temperature
- AromaSteam steamhead in matching finish and shape
- Compatibility with iGenie®
- Soft touch keypad
- Low voltage operation
- Programmable steam bath duration
- Clock
- ON/OFF control for AromaSteam and ChromaSteam®
- Two programmable presets

The iTempoPlus controls are designed to be installed inside or outside the steam room but is primarily installed inside the steam room. If the control is installed inside the steam room the control must be located:

- 4-5 feet above the floor
- in a location representative of the desired steam bathing temperatures. Do not locate the control above or near the steam head or direct steam emissions.
- on a vertical wall

The control cable length is 30 feet. Insure that the control and/or steam generator are located accordingly.

An optional 60 ft. cable is available if required, PN 103990-60.

If the control is installed outside the steam room a Remote Temperature Probe Part Number MSTS must be installed inside the steam room.

FOR ILLUSTRATIVE PURPOSES ONLY.

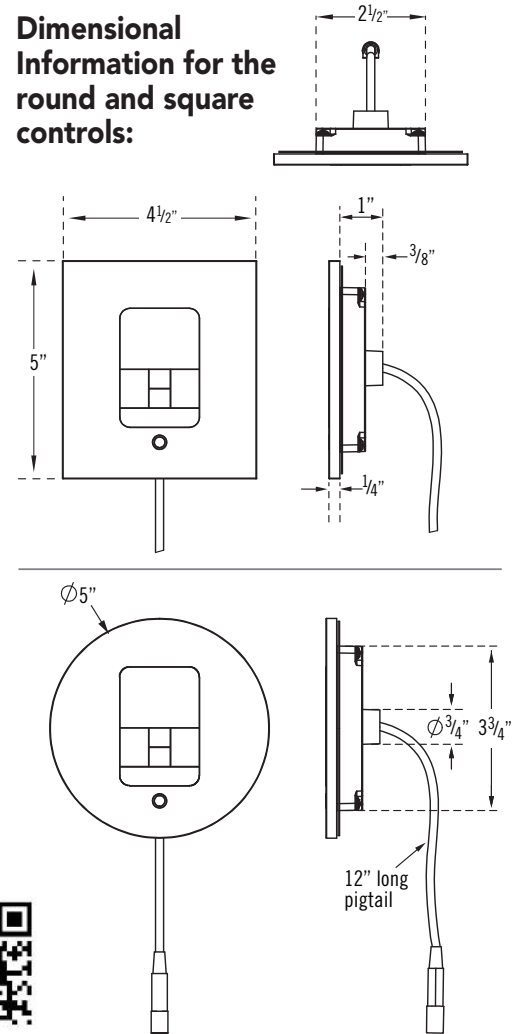
IMPORTANT NOTE: FOR SAFE AND TROUBLE FREE INSTALLATION visit mrsteam.com or scan the QR code before installation to download the Installation, Operation and Maintenance Manual or refer to the manual provided with the unit.



BOX CONTENTS:

- iTempoPlus™
- Steamhead
- Control Cable (30 ft.)
- Tube of Silicone Sealant
- Owner's Manual

Dimensional Information for the round and square controls:



| MODEL | SHAPE | FINISH | PROJECT INFORMATION |
|---------------|------------------------------------|--|---------------------|
| MS iTempoPlus | <input type="checkbox"/> RD Round | <input type="checkbox"/> BB - Brushed Bronze | Location: |
| | <input type="checkbox"/> SQ Square | <input type="checkbox"/> BN - Brushed Nickel | Architect: |
| | | <input type="checkbox"/> ORB - Oil Rubbed Bronze | Engineer: |
| | | <input type="checkbox"/> PB - Polished Brass | Contractor: |
| | | <input type="checkbox"/> PC - Polished Chrome | Submitted By: |
| | | <input type="checkbox"/> PN - Polished Nickel | Date: |
| | | <input type="checkbox"/> RAW - Custom Plating | |

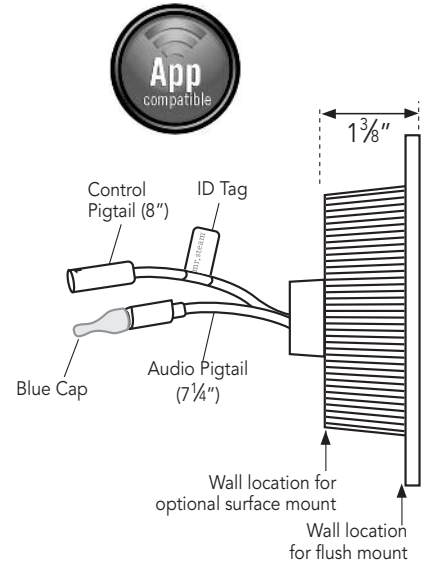
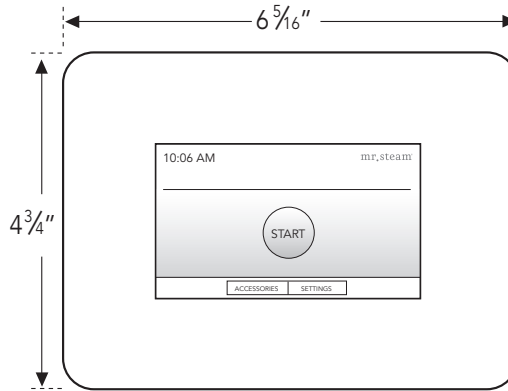
Notes:

iSteam® 2.0 Control

Box Contents:

- iSteam® 2.0 Control
- Owner's Manual
- Control Cable (30 ft.)
- Rough-In Box
- Steamhead
- Optional Surface
- Tube of Silicone Sealant Mount Gasket

Dimensional Information



iSteam controls flush mount in the steam/shower enclosure through a 5-1/4" wide x 3-9/16" high hole. iSteam controls can also be surface mounted. They are suitable for use with an available iGenie® control. Available in black or white.

iSteam controls are suitable for use inside or outside the steam/shower enclosure, featuring:

- Full color LCD touch screen
- Programmable temperature
- Programmable time
- Two user presets
- AromaSteam, ChromaSteam® and AudioWizard™ controls
- Passcode to prevent unintentional use of steam bath
- Includes AromaSteam steam head in white or black
- Compatible with iGenie®
- Low voltage operation

Works with the iSteam® Mobile App to allow users to control steamroom operation from their local WiFi network.

The iSteam controls are designed to be installed inside or outside the steam room but is primarily installed inside the steam room. If the control is installed inside the steam room the control must be located:

- 4-5 feet above the floor
- In a location representative of the desired steam bathing temperatures near the bather seating area. Do not locate the control above or near the steam head or direct steam emissions.
- On a vertical wall

The control cable length is 30 feet. Insure that the control and/ or steam generator are located accordingly. An optional 60 ft. cable is available if required, PN 104117-60. If the control is installed outside the steam room a Remote Temperature Probe Part Number iMSTS must be installed inside the steam room.

FOR ILLUSTRATIVE PURPOSES ONLY. IMPORTANT NOTE: FOR SAFE AND TROUBLE FREE INSTALLATION

visit mrsteam.com or scan the QR code before installation to download the Installation, Operation and Maintenance Manual or refer to the manual provided with the unit.



| MODEL | FINISH | PROJECT INFORMATION | |
|------------|--------------------------------|---------------------|---------------|
| iSteam 2.0 | <input type="checkbox"/> Black | Location: | Contractor: |
| | <input type="checkbox"/> White | Architect: | Submitted By: |
| | | Engineer: | Date: |
| Notes: | | | |

AutoFlush®

AutoFlush Shown Fully Assembled

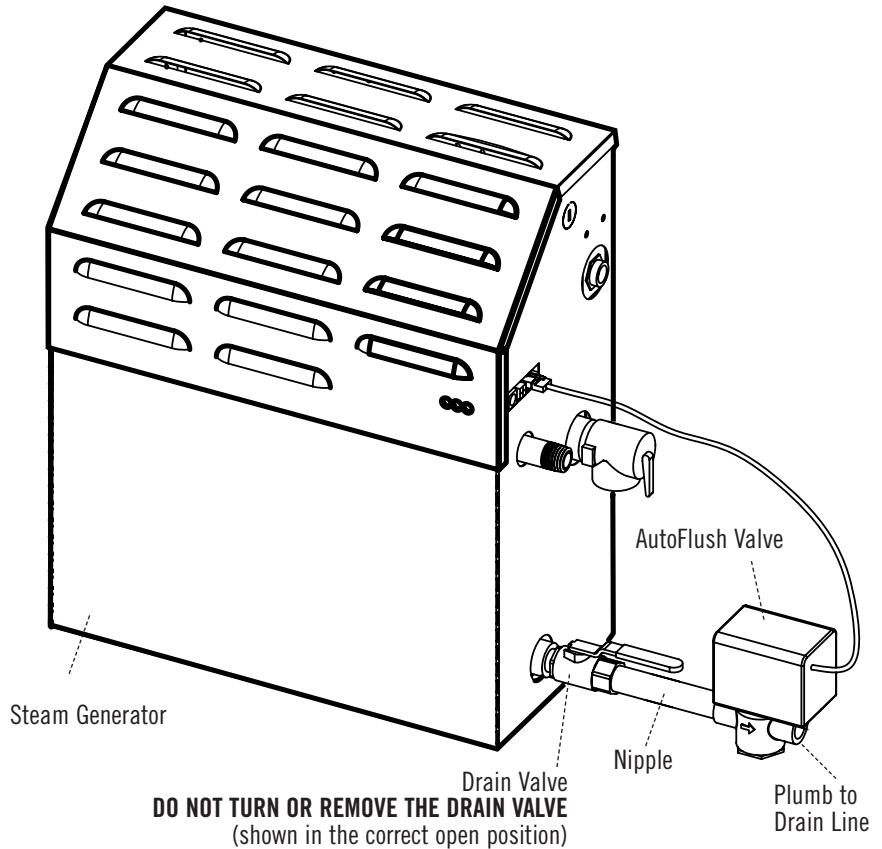
Box Contents

- AutoFlush Valve with Cord
- Installation instructions

Operation

The optional AutoFlush System feature automatically drains the Mr.Steam® system following each use. A time delay allows the water to cool down (about two hours) before it drains by gravity for a safe and gentle operation.

Note: If the Express Steam® option has been installed, the AutoFlush will drain for ten minutes then refill with fresh water to begin the pre-heat cycle.



Our exclusive AutoFlush® automatically and electronically drains the system, providing CleanSteam... Every Time® and introduces fresh water.

FOR ILLUSTRATIVE PURPOSES ONLY. IMPORTANT NOTE: FOR SAFE AND TROUBLE FREE INSTALLATION visit mrsteam.com or scan the QR code before installation to download the Installation, Operation and Maintenance Manual or refer to the manual provided with the unit.



| MODEL | PROJECT INFORMATION | |
|-----------|---------------------|---------------|
| MS 81500E | Location: | Contractor: |
| | Architect: | Submitted By: |
| | Engineer: | Date: |
| Notes: | | |

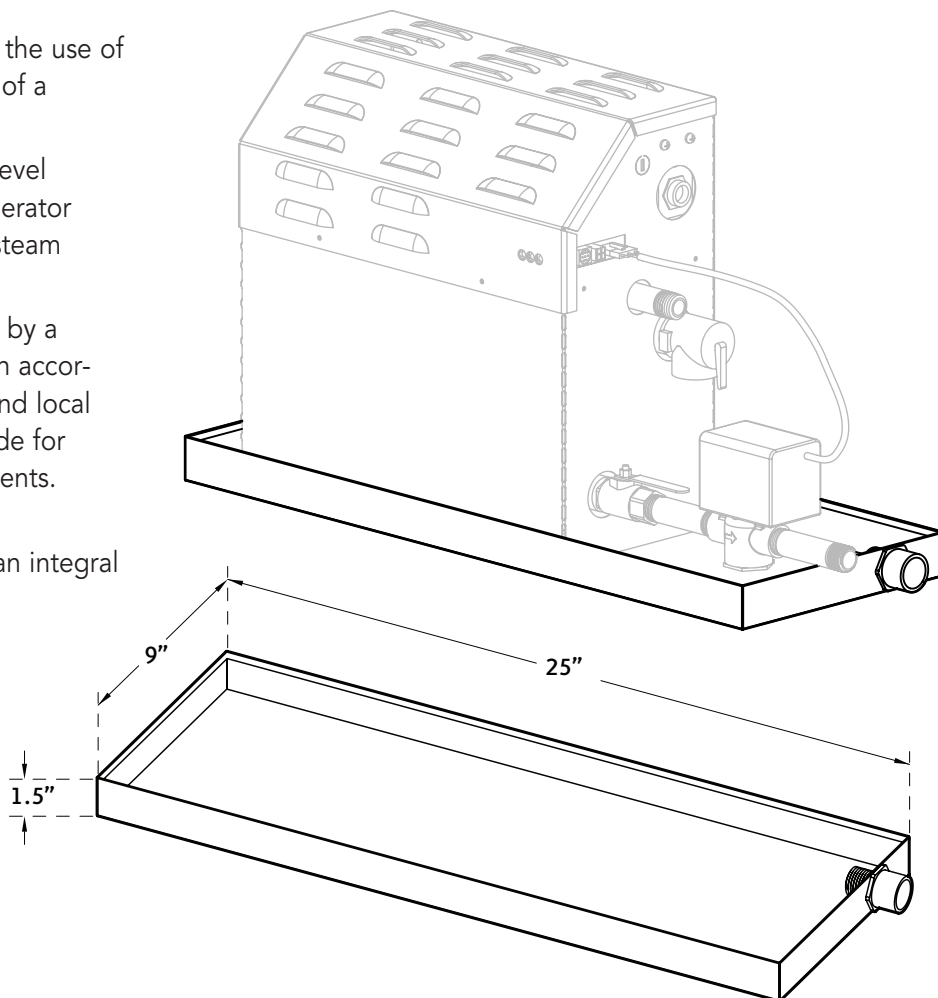
Drip Pan MS 103867

Mr. Steam strongly recommends the use of a drain pan in the unlikely event of a plumbing leak.

Locate the drain pan on a solid level surface and place the steam generator inside the drain pan. Insure the steam generator is level.

All plumbing shall be performed by a qualified licensed plumber and in accordance with applicable national and local codes. Check local plumbing code for receptor, trap and vent requirements. Drain pans drain by gravity.

The drain pan is equipped with an integral 3/4" NPT fitting.



FOR ILLUSTRATIVE PURPOSES ONLY. IMPORTANT NOTE: FOR SAFE AND TROUBLE FREE INSTALLATION visit mrsteam.com or scan the QR code before installation to download the Installation, Operation and Maintenance Manual or refer to the manual provided with the unit.



| MODEL | PROJECT INFORMATION | |
|-----------|---------------------|---------------|
| MS 103867 | Location: | Contractor: |
| | Architect: | Submitted By: |
| | Engineer: | Date: |
| Notes: | | |

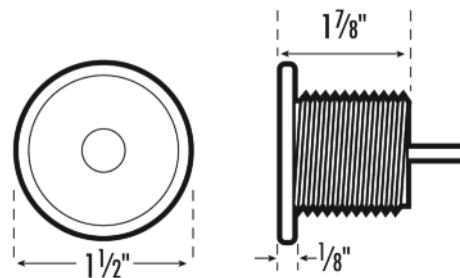
CT-SteamStop™

BOX CONTENT

- CT-SteamStop™ Control Button
- Owner's Manual
- 60' CT-SteamStop Cable

FUNCTION

- Used to turn the steam room on and off from within the steam room without having to touch the main controller
- Works with both iTempoPlus® and iSteam® controls
- Adhesive sticker for mounting located on the back of the button (non-supplied silicon is required to properly seal the wall opening).



FOR ILLUSTRATIVE PURPOSES ONLY. IMPORTANT NOTE: FOR SAFE AND TROUBLE FREE INSTALLATION visit mrsteam.com or scan the QR code before installation to download the Installation, Operation and Maintenance Manual or refer to the manual provided with the unit.



| MODEL | PROJECT INFORMATION | |
|--|---------------------|---------------|
| <input type="checkbox"/> CT-SteamStop™ | Location: | Contractor: |
| | Architect: | Submitted By: |
| | Engineer: | Date: |
| Notes: | | |

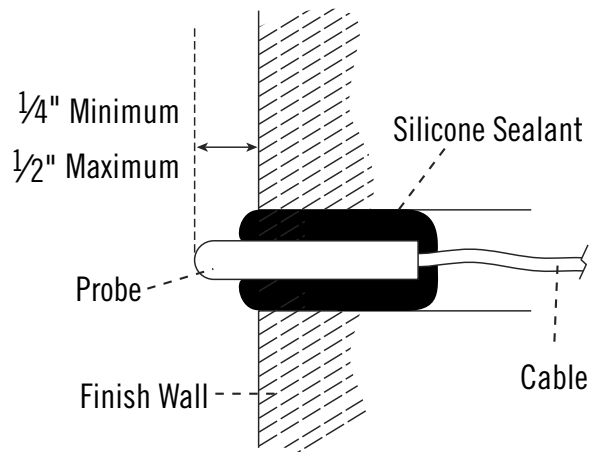
MSTS/iMSTS in Room Temperature Sensor

BOX CONTENT

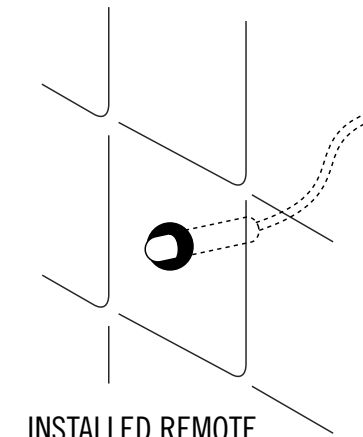
- MSTS/iMSTS probe with wire attached

FUNCTION

- Used to accurately read the temperature inside the steam room and send it to the controller.
- MSTS is for use with the iTempo® or iTempoPlus® controls
- iMSTS is for use with the iSteam® Control



SECTIONAL VIEW



INSTALLED REMOTE TEMPERATURE PROBE

FOR ILLUSTRATIVE PURPOSES ONLY. IMPORTANT NOTE: FOR SAFE AND TROUBLE FREE INSTALLATION visit mrsteam.com or scan the QR code before installation to download the Installation, Operation and Maintenance Manual or refer to the manual provided with the unit.



| MODEL | PROJECT INFORMATION | |
|--------------------------------|---------------------|---------------|
| <input type="checkbox"/> iMSTS | Location: | Contractor: |
| <input type="checkbox"/> MSTS | Architect: | Submitted By: |
| | Engineer: | Date: |
| Notes: | | |