

Over Temperature Alarm and Shut Off Device for MrSteam CT Day Spa and CU Commercial Steam Generators

The Device turns off steam generator and activates audio and visual alarm when steam room temperature reaches 120°F. Connections are available for additional external emergency switch and audio and/visual alarms.

CONTENTS

- Device
- Clear Tamper Proof Cover
- #6 x 1" Anchors
- Sensor
- 30 ft. Cable
- Silicone
- Sensor Guard
- #6 x 1" Tapping Screw
- Instruction Manual

DEVICE INSTALLATION

- Device uses 120V, 1PH control voltage supply.

OPERATING PARAMETERS

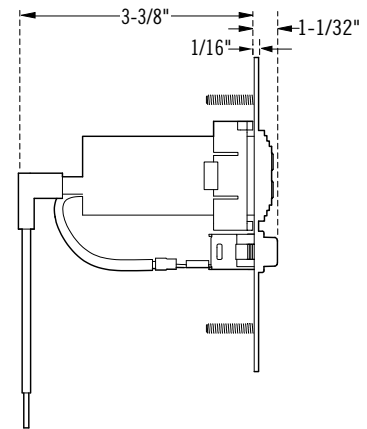
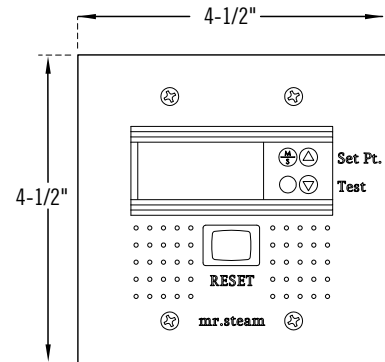
- Device shut off fixed at 120°F (49°C)

DEVICE SHUT-OFF

- In the event room conditions or environment cause the temperature to reach 120 °F (49 °C) the Device will shut off power to the steam bath generator, display "STOP" and sound the alarm.
- The Device can be reset by pressing the RESET button which will shut off the alarm and the display changes to current room temperature.

TESTING THE SYSTEM

- Press the down arrow button to shut off the system. This shuts off power to the steam generator, sounds the alarm, and displays STOP. Push the RESET button to reset.
- Press and hold the up arrow button to display the set point temperature (120° F).
- Test monthly to insure proper operation.



TEMPERATURE SENSOR INSTALLATION

- Locate the sensor 4-5 feet above the floor in a location representative of desired steam bathing temperatures.
- Do NOT locate the sensors near or above the steamhead(s) as this may cause direct steam emission to interfere with steam room temperature regulation.
- Do NOT route sensor cable with power wiring, next to electric motors or any other location subject to electrical noise.

FOR ILLUSTRATIVE PURPOSES ONLY. IMPORTANT NOTE: FOR SAFE AND TROUBLE FREE INSTALLATION

visit mrsteam.com before installation to download the Installation, Operation and Maintenance Manual or refer to the manual provided with the unit.

MODEL	PROJECT INFORMATION	
<input type="checkbox"/> CU-HTC	Location:	Contractor:
	Architect:	Submitted By:
	Engineer:	Date:
Notes:		