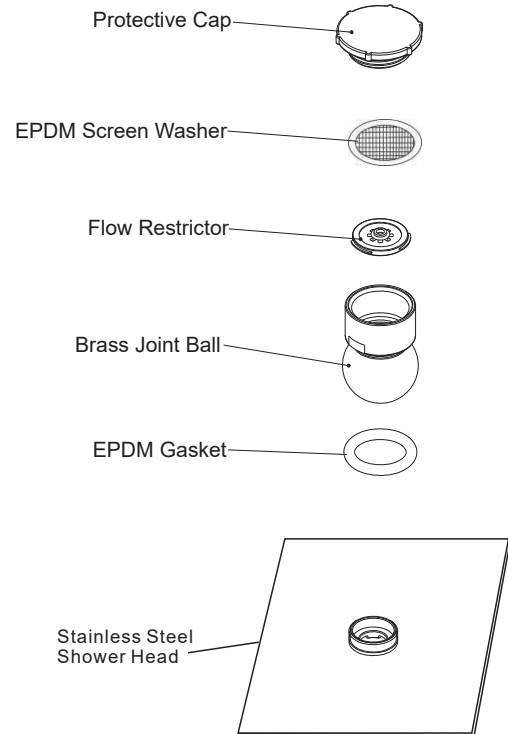
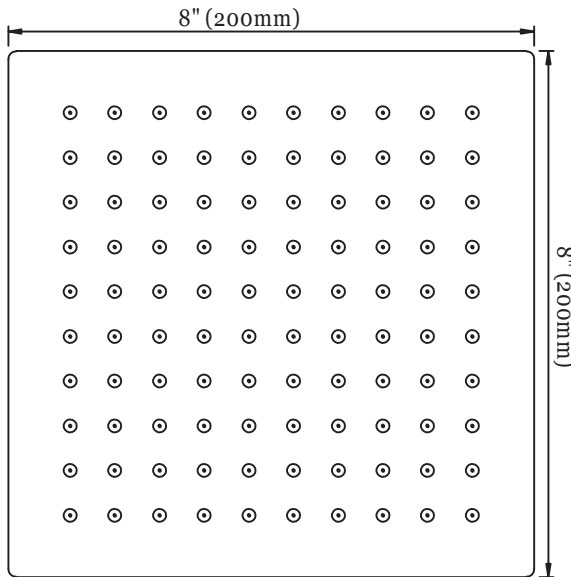
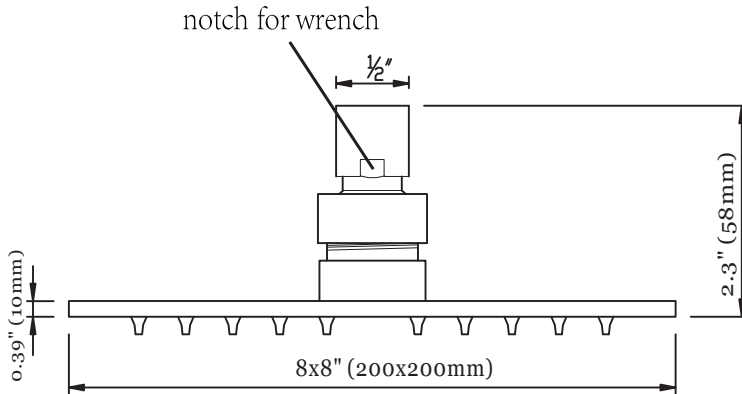


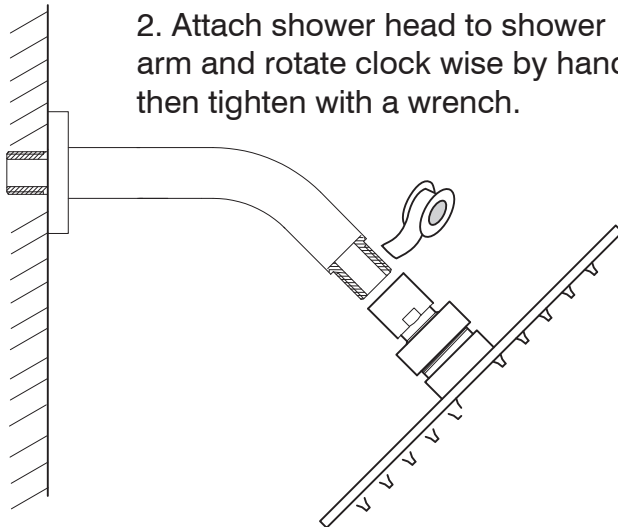
8" Square shower head Installation instruction

Use a licensed plumber for installation



WALL

1. Wrap Teflon tape clockwise
2. Attach shower head to shower arm and rotate clock wise by hand, then tighten with a wrench.



Shower Head Installation Suggestion Only. Teflon Tape and Shower Arm are excluded in Shower Head Packing box.

This shower head is supplied with a blue 1.6 GPM flow restrictor and meets CEC Requirements.

If you are not satisfied with the flow, non-California residents can replace the restrictor with this white 2.5GPM restrictor. Check local water conservation codes before changing the restrictor.

IMPORTANT: Re-insert protective stainless-steel screen on top of restrictor.