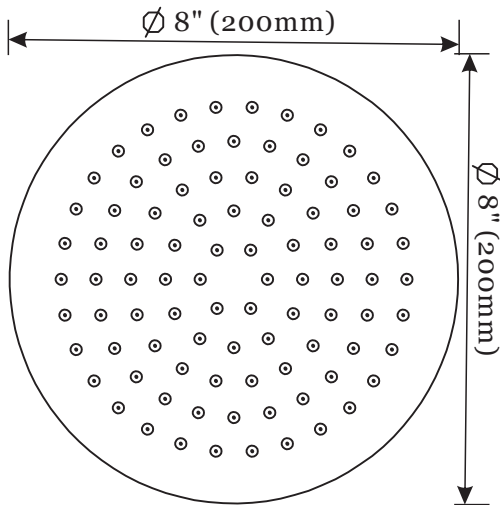
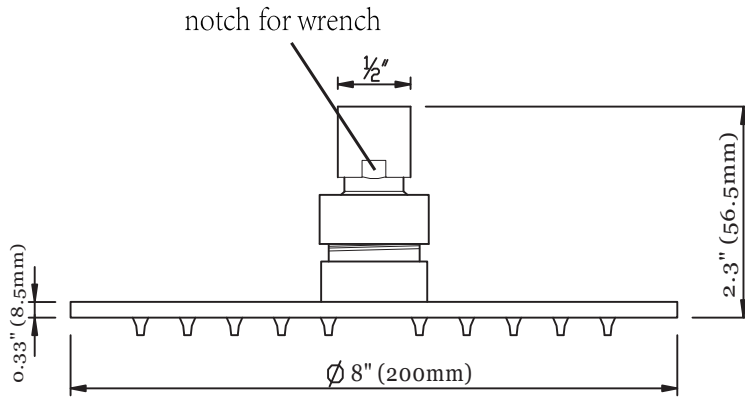
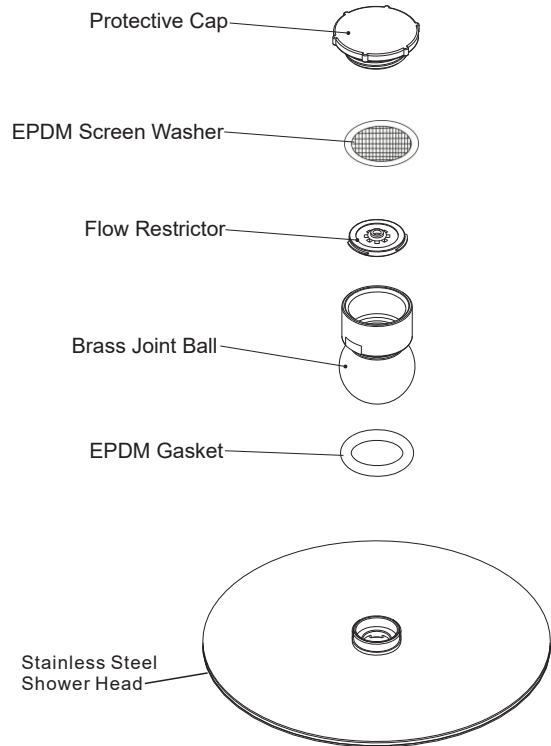


## 8" Round shower head Installation instruction

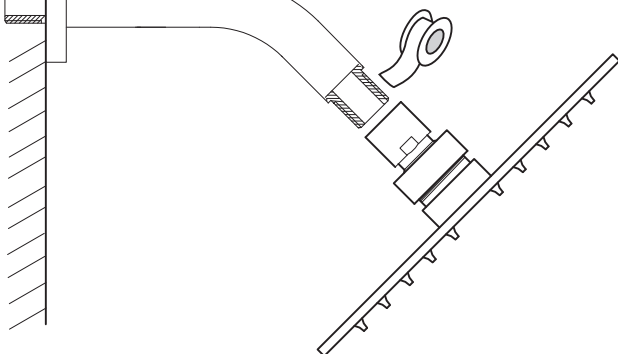


Use a licensed plumber  
for installation



WALL

1. Wrap Teflon tape clockwise
2. Attach shower head to shower arm and rotate clock wise by hand, then tighten with a wrench.



Shower Head Installation Suggestion Only.  
Teflon Tape and Shower Arm are excluded  
in Shower Head Packing box.

This shower head is supplied with a blue 1.6 GPM  
flow restrictor and meets CEC Requirements.

If you are not satisfied with the flow, non-California  
residents can replace the restrictor with this white  
2.5GPM restrictor. Check local water conservation  
codes before changing the restrictor.

**IMPORTANT:** Re-insert protective stainless-steel  
screen on top of restrictor.