



**SPECIFICATIONS – SteamVection Steam Head**

Construction..... Brass  
Aromatherapy..... Integral Reservoir

**Installation Notes:**

The steam head should be installed 24 inches from the floor, and 6 inches from any corner, inside the shower only, and as far away from the controller and shower fixtures as possible.

The steam head housing requires a 1-1/8" hole in the shower wall, and must be flush with the finished wall and sealed to the wall to not allow vapor or water behind it. Use 1/2" copper fittings to attach the housing to the steam outlet. See the full steam head housing instructions within your generator installation guide.

**Product Specification:**

The steam head shall be approximately 1.75" x 1.75" in the square version, and a 1.75" Dia. For the round version. The steam head is made from brass alloy and includes an aromatherapy well.

**Finish Chart:**

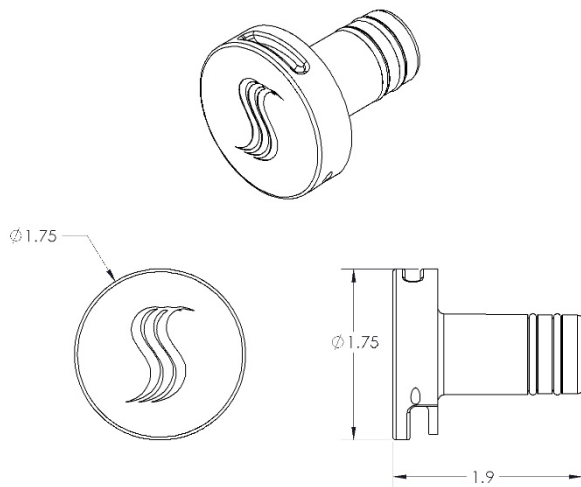
Select desired finish and replace XX with code. No-Touch Aromatherapy steam head and control finishes.

|                       |                         |
|-----------------------|-------------------------|
| PC = Polished Chrome  | PN = Polished Nickel    |
| SC = Satin Chrome     | SN = Satin Nickel       |
| PB = Polished Brass   | BN = Black Nickel       |
| SB = Satin Brass      | AN = Antique Nickel     |
| AB = Antique Brass    | PG = Polished Gold      |
| COP = Polished Copper | ORB = Oil Rubbed Bronze |
| ACOP = Antique Copper | WHT = White             |
| MB = Matte Black      |                         |

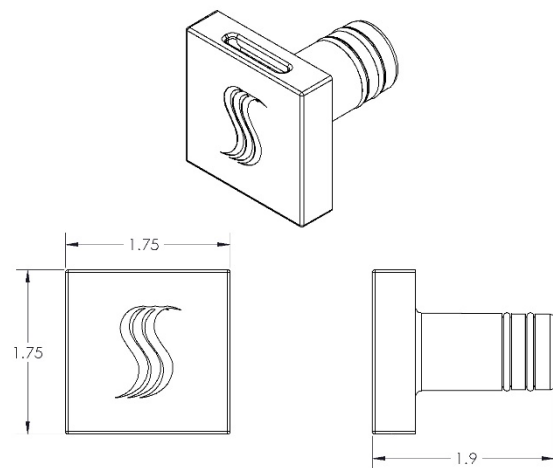
**Shipping Information:**

Weight..... 1 lbs.  
Length.....9.5 in.  
Width.....3.5 in.  
Height.....2.5 in.

For any further assistance please contact  
ThermaSol at 800.776.0711 or  
[sales@thermasol.com](mailto:sales@thermasol.com)



Round Style



Square Style