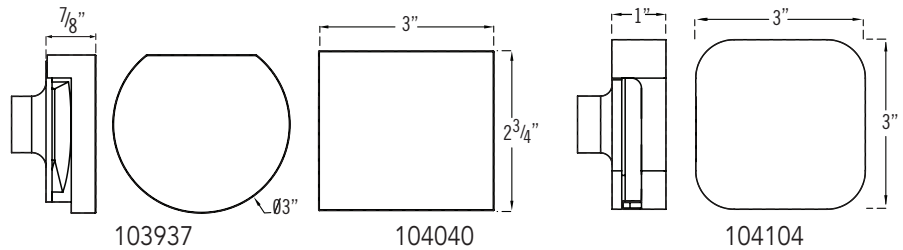


AromaSteam Steamhead

Round 103937, Square 104040, 104104

- Even distribution of steam while remaining cool to the touch
- No field assembly required
- No moving parts
- Integrated aromatherapy oil well for in shower use



Round & Square Steamhead Installation (1/2" NPT)

IMPORTANT: Do not disassemble steamhead. MrSteam’s steam head is shipped fully assembled and requires no additional assembly.

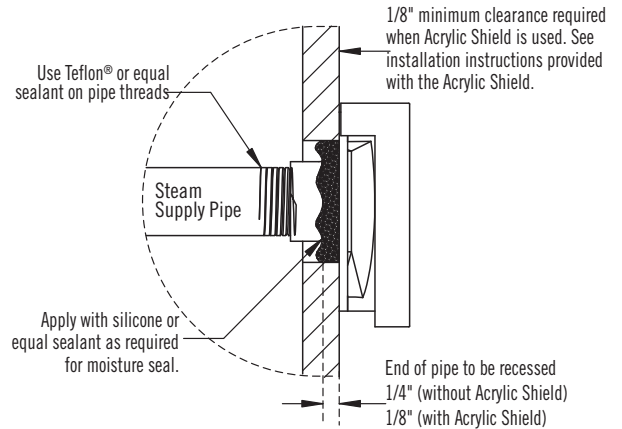
CAUTION Because the steamhead and direct steam emissions are very hot, locate the steamhead where incidental contact by bather with the steamhead or direct steam emission cannot occur.

NOTE: A 1.5" clearance hole around the steam pipe is needed to mount the steamhead.

Locate steamhead 6-12 inches above floor, except for:

- Tub/shower enclosures, install 6 inches above tub top edge.
- For enclosures with acrylic or other non-heat resistant flooring install Acrylic Shield Part Number 103938/10398SQ

IMPORTANT NOTE: To preserve steamhead finish, do not use wrench or other tools to tighten. DO NOT use abrasive cleansers or chemicals. Use only water with mild soap and a non-abrasive sponge.



CAUTION Consult with supplier of acrylic, fiberglass and other non-heat resistant enclosures for recommended steamhead location. Use Acrylic Shield PN 103938/10398SQ. See instructions provided with steam shield. (An acrylic shield is not available for the iSteam steamhead.)

FOR ILLUSTRATIVE PURPOSES ONLY. IMPORTANT NOTE: FOR SAFE AND TROUBLE FREE INSTALLATION visit mrsteam.com before installation to download the Installation, Operation and Maintenance Manual or refer to the manual provided with the unit.

MODEL	FINISH**	PROJECT INFORMATION
<input type="checkbox"/> 103937-Round	<input type="checkbox"/> BB Brushed Bronze	Location:
<input type="checkbox"/> 104040-Square	<input type="checkbox"/> BN Brushed Nickel	Architect:
<input type="checkbox"/> 104104*	<input type="checkbox"/> ORB Oil Rubbed Bronze	Engineer:
	<input type="checkbox"/> PB Polished Brass	Contractor:
	<input type="checkbox"/> SB Satin Brass	Submitted By:
	<input type="checkbox"/> PC Polished Chrome	Date:
	<input type="checkbox"/> PN Polished Nickel	Notes:
	<input type="checkbox"/> BLK Black***	
	<input type="checkbox"/> WH White***	
	<input type="checkbox"/> MB Matte Black	
	<input type="checkbox"/> RAW Custom Plating	

* 104104 Steamhead is used for AirTempo, iSteam and black/white facia iTempo and iTempoPlus.

** For AirTempo select black or white with a decorative finish

***iSteam, black/white fascia iTempo and iTempoPlus are provided with matching glass face and chrome trim only.